

## 1000Vdc, 10x38mm, Photovoltaic Fuses HV110.PV Series



E364962

### Description

- 1000Vdc Fuse for Solar Panel Applications
- 10x38mm physical size
- Designed to UL248-19 (2579)
- Capable of interrupting low overcurrents associated with faulted PV systems
- Lead Free material

### Specifications

Specification								
Part No.	Rated Voltage	Rated Current	Breaking Capacity	Energy Integrals I <sup>2</sup> t (A <sup>2</sup> s)		Typical Resistance	Power Loss (W)	
	DC		DC	Pre-Arcing	Total at 1000V	mOhms	0.8In	1.0In
HV110.PV1A	1000V	1A	10kA	0.15	0.4	620	0.8	1.5
HV110.PV2A		2A		1.3	3.4	235	0.7	1.1
HV110.PV3A		3A		4	12	110	0.8	1.3
HV110.PV3.5A		3.5A		6.5	20	84.5	0.9	1.4
HV110.PV4A		4A		10	28	72.8	1.1	1.4
HV110.PV5A		5A		19	50	54.3	1.1	1.4
HV110.PV6A		6A	30kA	32	93	38.9	1.2	1.8
HV110.PV8A		8A		85	205	22.4	1.2	2.2
HV110.PV10A		10A		30	70	15.4	1.3	2.3
HV110.PV12A		12A		98	150	12.5	1.5	2.8
HV110.PV15A		15A		149	230	9.1	1.8	3
HV110.PV20A		20A		30kA	229	330	5.7	2.4
HV110.PV25A		25A	411		500	4.55	2.6	4.1
HV110.PV30A		30A	1200		2500	3.4	4.3	5.7

- DC Cold Resistance are measured at <10% of rated current in ambient temperature of 25°C
- Typical Pre-arcing I<sup>2</sup>t are measured at 10In Current

1000Vdc, 10x38mm, Photovoltaic Fuses  
HV110.PV Series



E364962

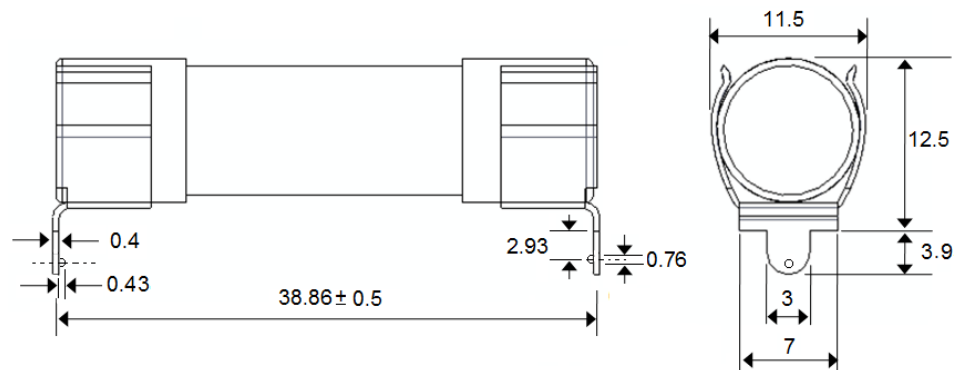
**Dimension**

Standard cylindrical (Ordering code: HV110.PVxxA):

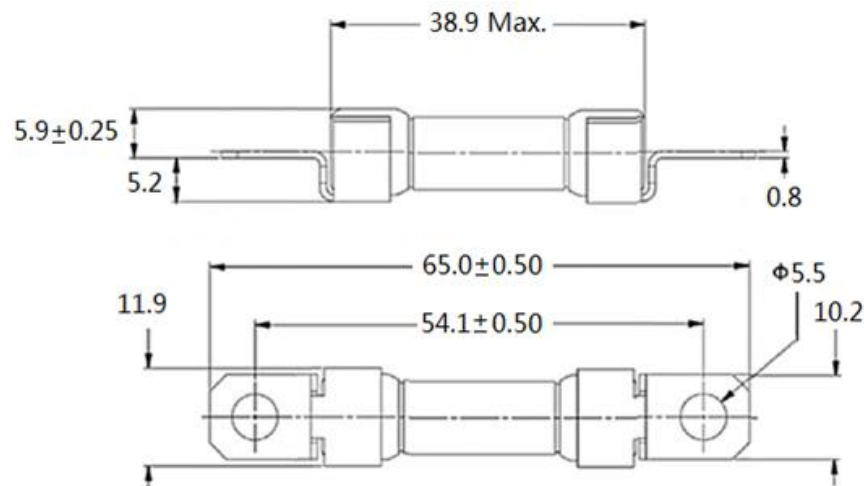


Note: Fuse clip order code: AC-10P

With PCB wave-soldering terminals (Ordering code – HV110.PVxxA-TH)

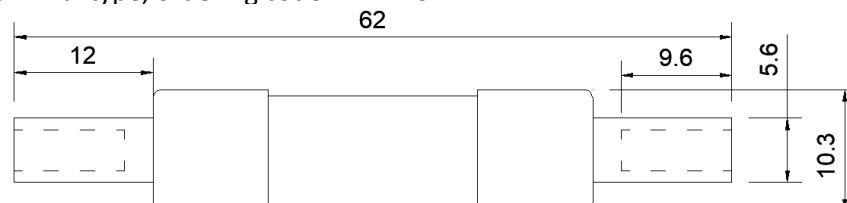


Bolt fixing (Ordering code: HV110.PVxxA-AP):



Note: recommend tightening torque is 4.5+/-1.0Nm; 推荐紧固扭矩为 4.5+/-1.0Nm

In-line crimp terminal type, ordering code – HV110.PVxxA-I



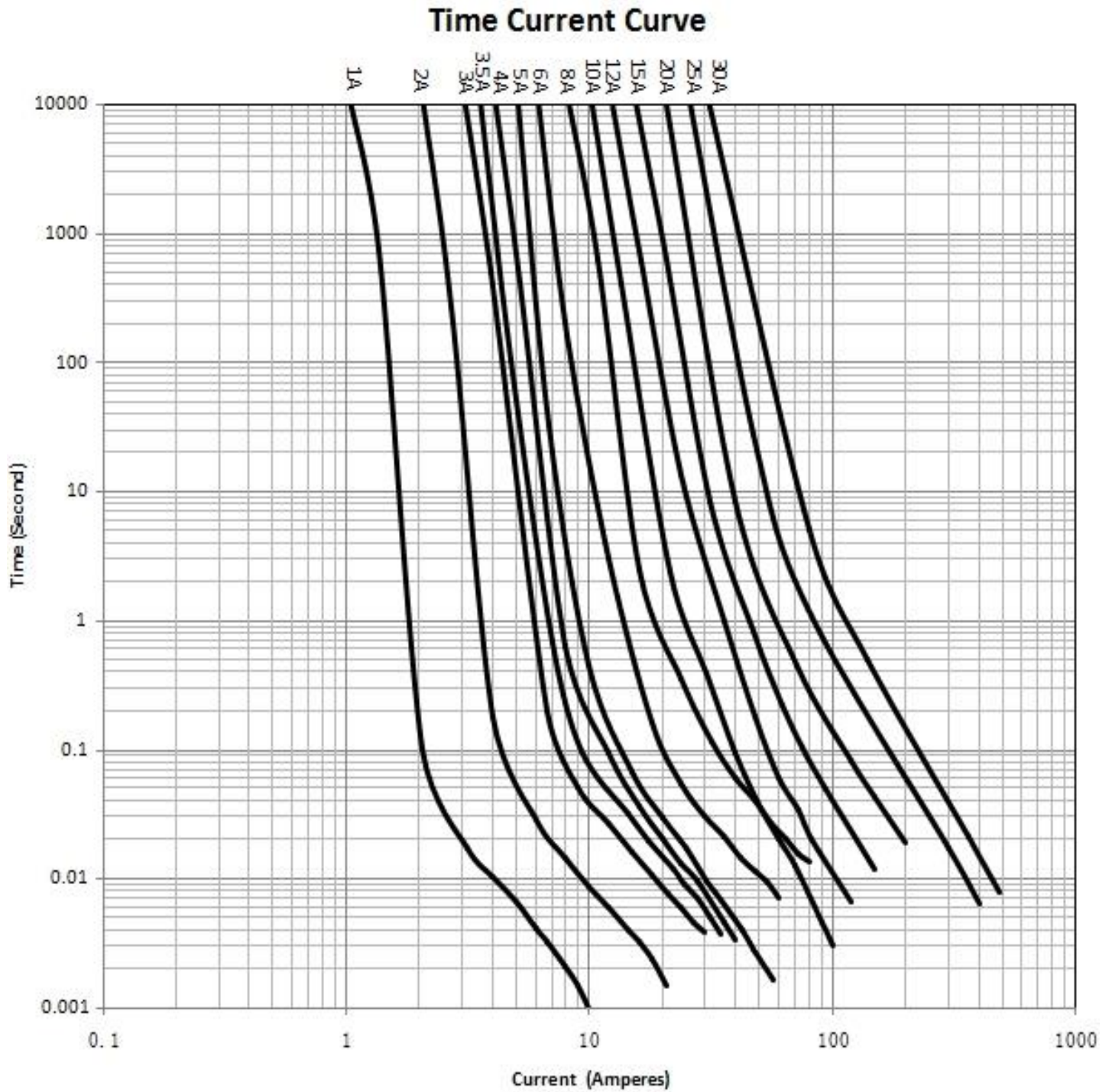
Note: for 10-12AWG (6-4mm<sup>2</sup>); Recommended Crimping Tool: T&B Sta-Kon ERG4002 or equivalent

1000Vdc, 10x38mm, Photovoltaic Fuses  
 HV110.PV Series



E364962

Time-Current Characteristics



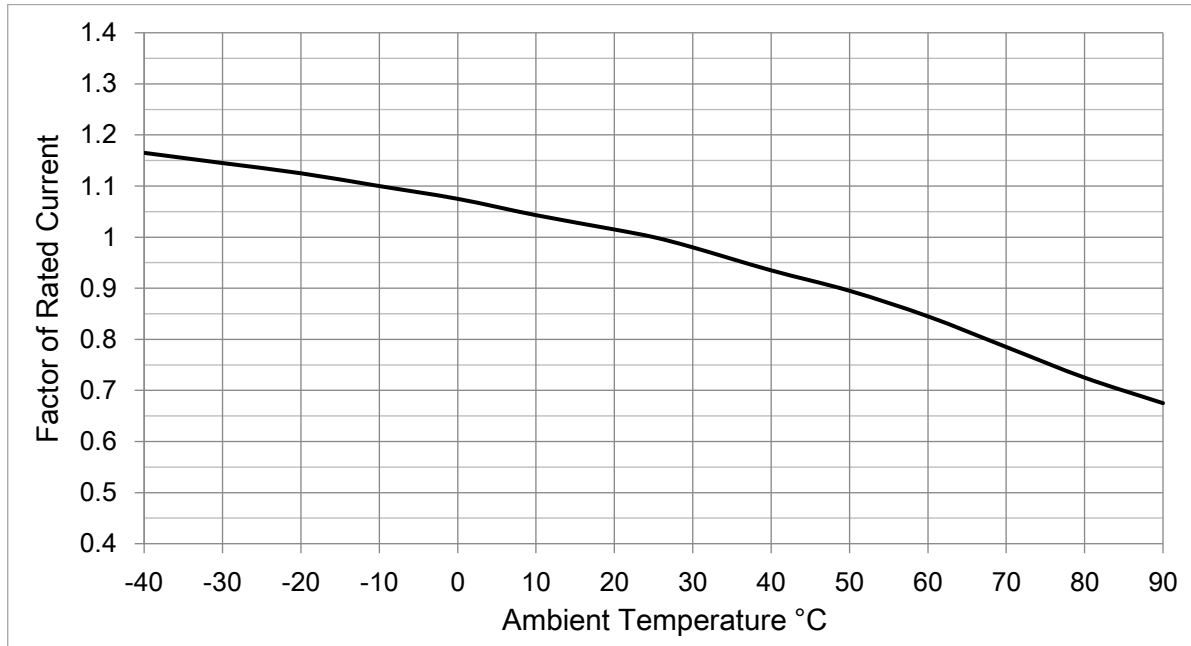
1000Vdc, 10x38mm, Photovoltaic Fuses  
HV110.PV Series



E364962

**Temperature Re-Rating Curve**

Operating temperature: -40°C ~ 90°C (with proper re-rating factor)



**Package**

10 fuses in one carton (cylindrical); 20 fuses in one carton (AP terminal)