

1000VAC/DC, 10x38mm
HV110.xx A Series, DMI Application

Description

- Fast Acting, high breaking capacity under 1000VAC/DC
- 10x38mm physical size
- Ceramic tube, Silver plated copper cap construction
- Design For DMI application (Multi-Meters)
- RoHS and Lead Free



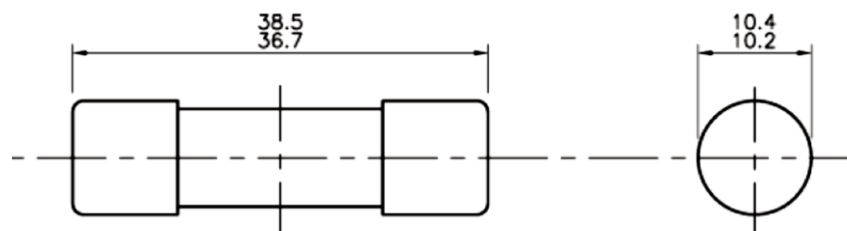
Specifications

Specification					
Part No.	Rated Voltage	Rated Current	Breaking Capacity	Certification	
				UL	TUV
HV110.0.44A	1000Vac 1000Vdc	0.44A	30KA 50kA *	•	•
HV110.0.5A		0.5A		•	•
HV110.1A		1A		•	
HV110.1.5A		1.5A		•	
HV110.2A		2A		•	
HV110.4A		4A		•	•
HV110.10A		10A		•	•
HV110.11A		11A		•	•
HV110.12A		12A		•	•
HV110.15A		15A		•	•

* 1000Vac/50kA Breaking Capacity certified by TUV.

Dimension(Unit:mm)

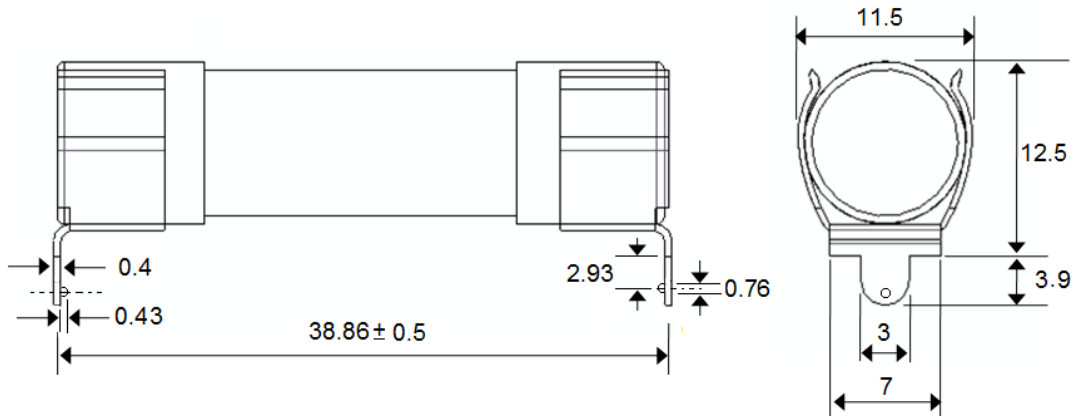
Standard cylindrical, ordering code – HV110.xx A



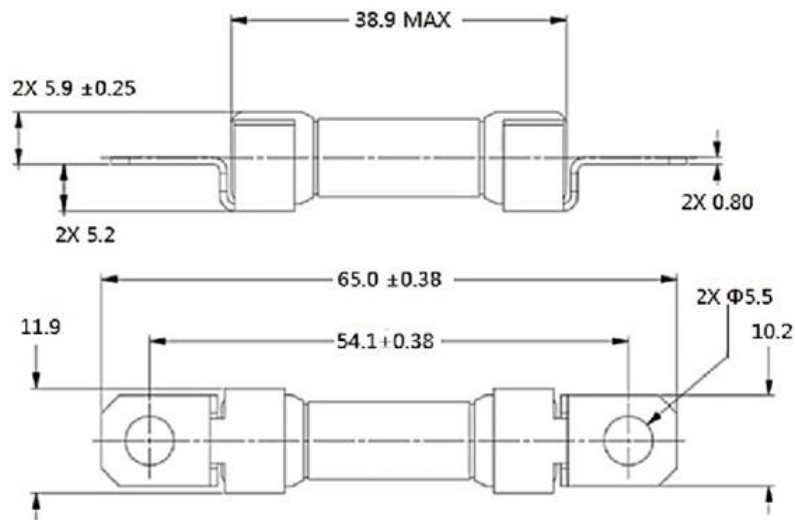
Fuse Clip for PCB mounting P/N:	AC-10P
Material:	Phosphor Bronzes
Surface plating:	Bright Tin
Thickness:	0.80mm

1000VAC/DC, 10x38mm
HV110.xxA Series, DMI Application

With PCB wave-soldering terminals, ordering code – HV110.xxA-TH



With bolt-in terminals, ordering code –HV110.xxA-AP



Carton Quantity

10 pcs in 1 carton

1000VAC/DC, 10x38mm
 HV110.xx A Series, DMI Application

Time-Current Characteristics

Time Current Curve

