

Fuse Holder for HEV Application

MH1P



Description

1-P Holder for HEV fuse, provide electronic insulation and more easier for installation and replacement.
Flexible design, easy to make multiple array.

Specification

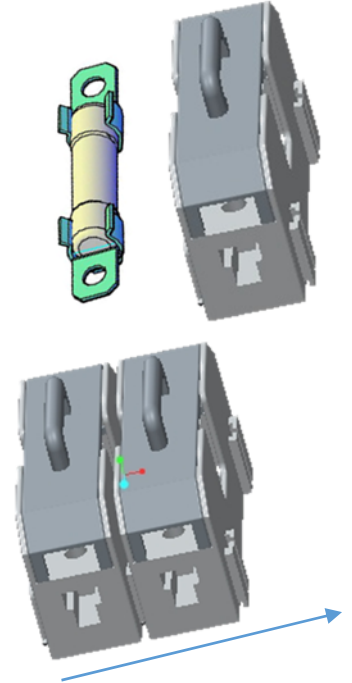
- Rated voltage: 600Vac/dc, 700Vdc
- Rated current: 32A max.
- SCCR: 200kA @ 600Vac/dc; 50kA @ 700Vdc
- Operation temperature: -40°C ~ 120°C
- Flammability Ratings: UL 94V0
- Insulation voltage: AC 3000V
- Torque: 2.8N-m max

Material

- Base and cover: Base, PC+25% Glass fiber; Cover, PC, transparent.
- Screw: M5*14, Zinc plating.

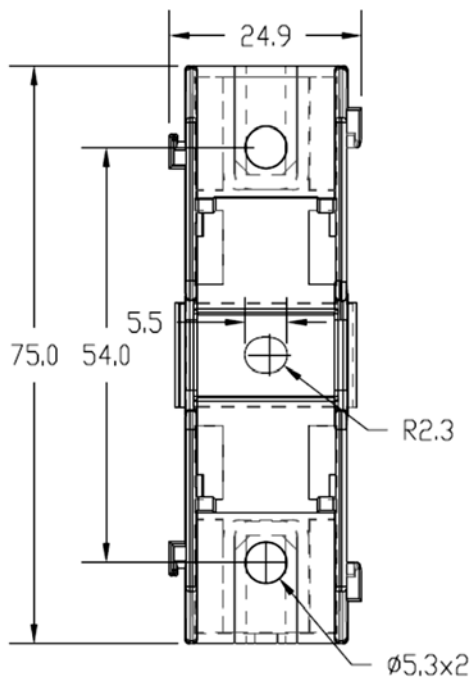
Ordering Number

Fuse		Holder
HEV-amp-600	600VDC fuse	MH1P
HEV-amp-700	700VDC fuse	



Drawing (Unit: mm):

Base:



Base with cover:

