

Fuse Holder for HEV Application

MH14H1P 800Vdc/50A



Description

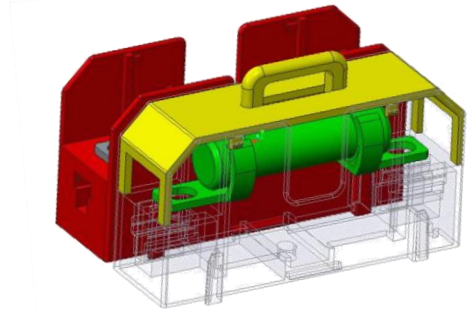
1-P Holder for 14x51 fuse with bolt in terminal, provide electronic insulation and more easier for installation and replacement.
Flexible design, easy to make multiple array.

Specification

- Rated voltage: 660V/700Vac, 700Vdc/800Vdc
- Rated current: 50A max.
- SCCR: 200kA @ 660V/700Vac; 50kA @ 700Vdc; 10kA @ 800Vdc
- Operation temperature: -40°C ~ 120°C
- Flammability Ratings: UL 94V0
- Insulation voltage: AC 3000V
- Torque: 3.0 N-m max

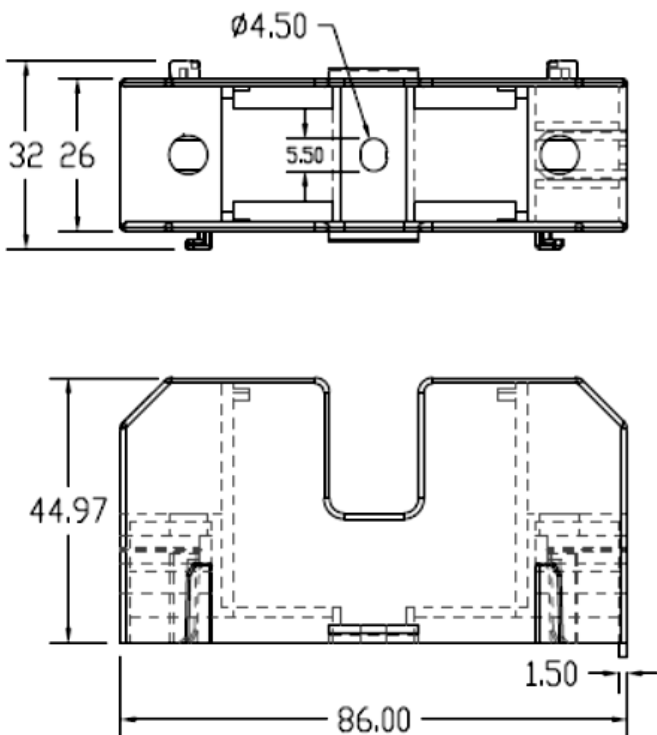
Material

- Base: PC, 25% Glassfiber;
- Cover: PC;
- Screw: M5*14, Zinc plating.



Drawing (Unit: mm) :

Base:



Array installation guide

Make sure the fixing point on the same side, and then insert the second base from right side.

