

# 1000VDC, High Voltage SMD Fuse

## A324501 Series

### Description

- 4.5x4.5x32mm physical size
- 1000VDC High voltage ,High Breaking Capacity

### Electrical Characteristics

% rated current	Opening Time
100%	4hours, Minimum
250%	120sec., Maximum

### Specifications

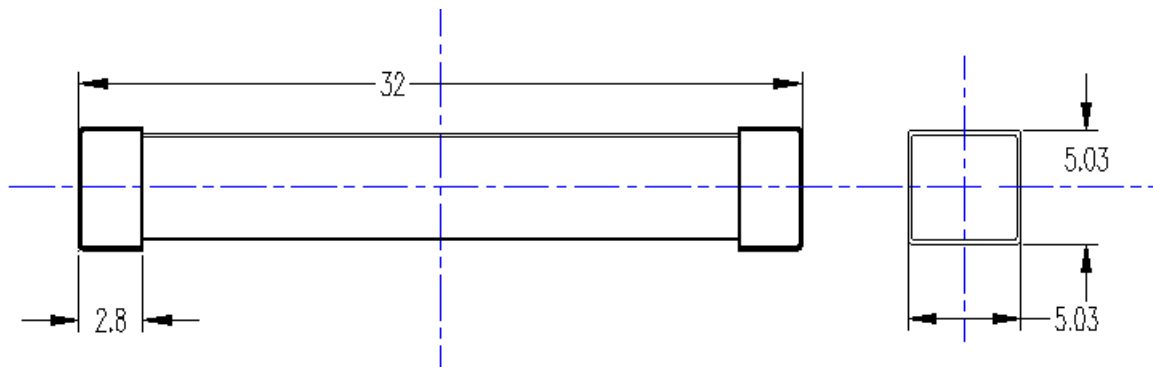
Part No.	Rated Voltage	Rated Current	Breaking Capacity (KA) *	Typical Cold. Resistance (mohms)**	Typical Voltage Drop (mV)	Typical Pre-Arcing I <sup>2</sup> t (A <sup>2</sup> S)***
A324501.0.8	1000Vdc	800mA	10KA@1000Vdc	560	500	0.65
A324501.1	1000Vdc	1A	10KA@1000Vdc	435	480	1.30
A324501.3	1000Vdc	3A	10KA@1000Vdc	90	390	4.0

\* : DC Interrupting Rating (measured at designated voltage, time constant of less than 50 microseconds)

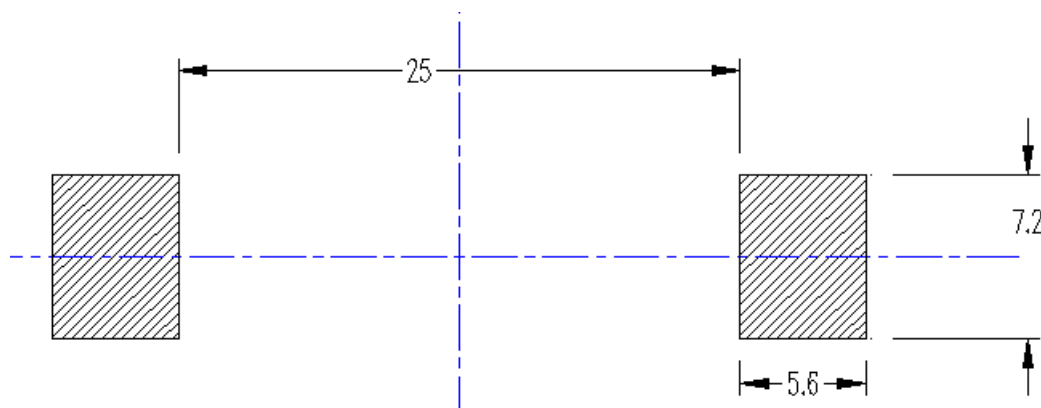
\*\* : DC Cold Resistance are measured at <10% of rated current in ambient temperature of 25°C

\*\*\*: Typical Pre-arcing I<sup>2</sup>t are measured at 10In Current, DC battery bank.

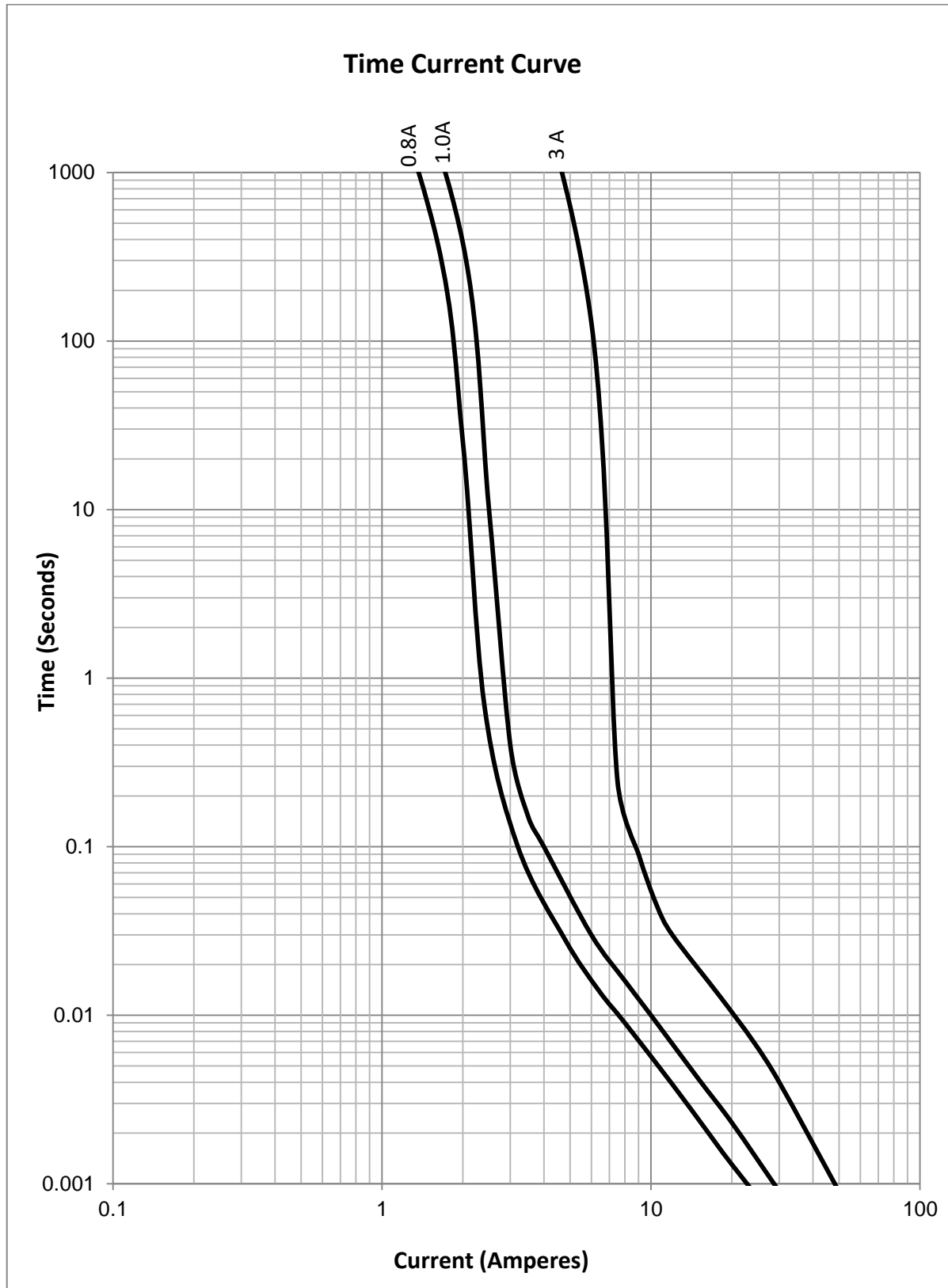
### Dimensions (mm)



### Recommended Pad Layout (mm)



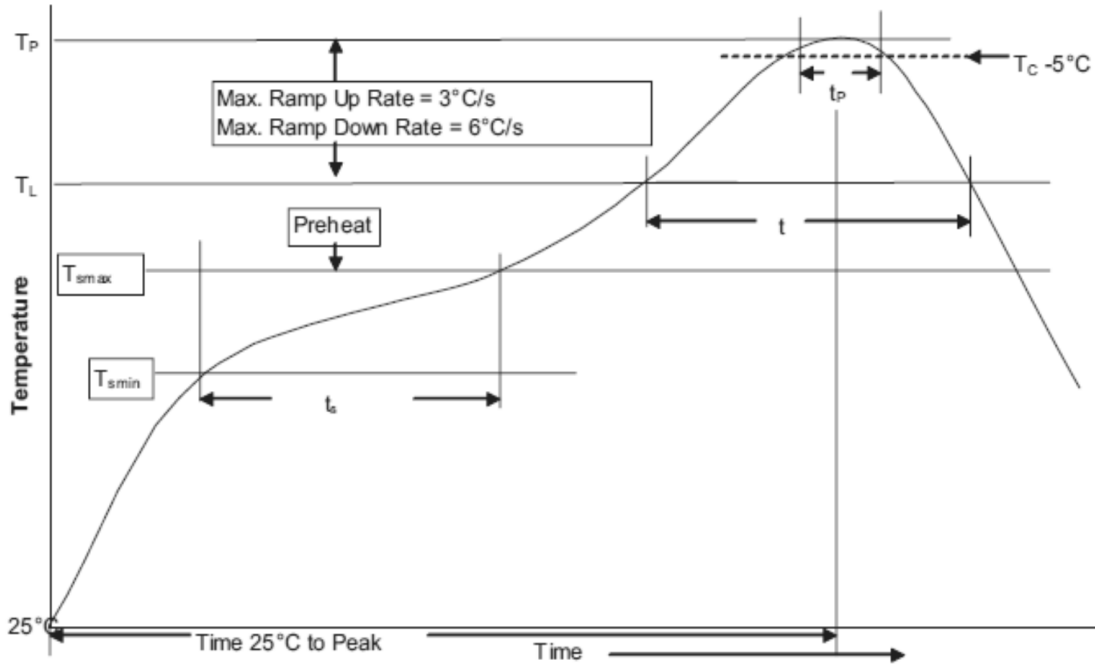
# 1000VDC, High Voltage SMD Fuse A324501 Series



# 1000VDC, High Voltage SMD Fuse A324501 Series

## Soldering Characteristics

### Reflow Soldering Condition:



Profile Feature		Lead(Pb) free solder
Preheat and soak	Temperature min. ( $T_{smin}$ )	150°C
	Temperature max. ( $T_{smax}$ )	200°C
	Time ( $T_{smin}$ to $T_{smax}$ ) (ts)	60 - 120 Seconds
Average ramp up rate $T_{smax}$ to $T_P$		3°C / Second Max.
Liquidous temperature ( $T_L$ )		217°C
Time at liquidous ( $t_L$ )		60 - 90 Seconds
Peak package body temperature ( $T_P$ )		260 <sup>+0/-5</sup> °C
Time ( $t_p$ ) within 5°C of the specified classification temperature ( $T_C$ )		20-40 Seconds
Average ramp-down rate ( $T_P$ to $T_{smax}$ )		6°C / Second Max.
Time (25°C to Peak Temperature)		8 Minutes Max.

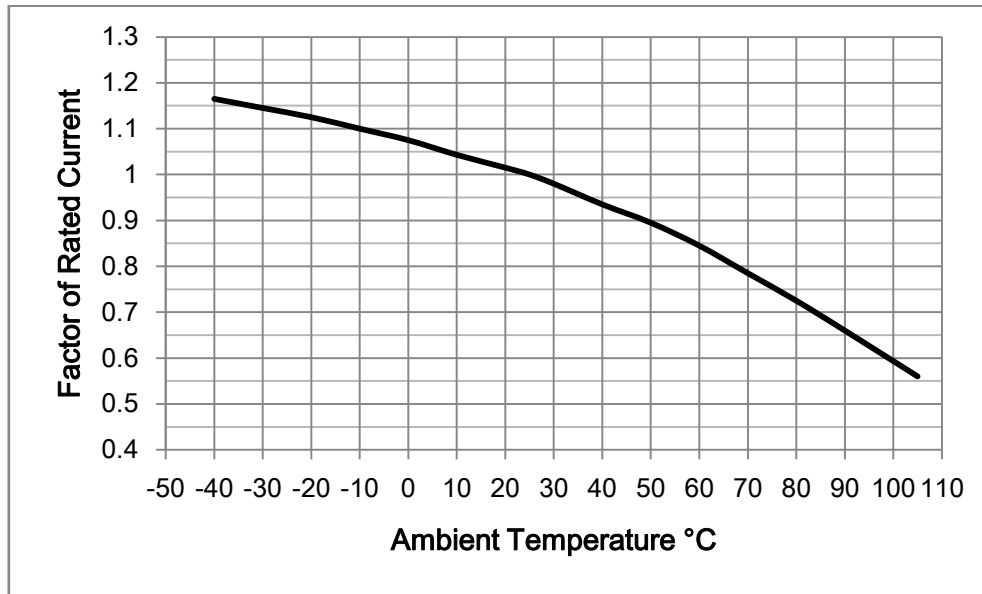
### Manual Soldering :

- Temperature: 350° C
- Time: 5 Seconds Maximum

# 1000VDC, High Voltage SMD Fuse A324501 Series

## Temperature Re-rating curve

- Normal Operating Temperature: 25°C
- Operating Temperature: -40°C to 105°C with proper correction factor applied.



## Package and Minimum order QTY

1000pcs fuses in tape (width 44mm) and reel (dia. 13inch)