

300VAC/DC, 5x20mm, Fast Acting, Ceramic Tube Fuses

MV530 Series

Description

- Design for DMI application
- Fast Acting, high breaking capacity
- 5x20mm physical size
- Ceramic tube, Silver plated copper cap construction
- Designed to UL248-1
- Lead Free and Halogen free material



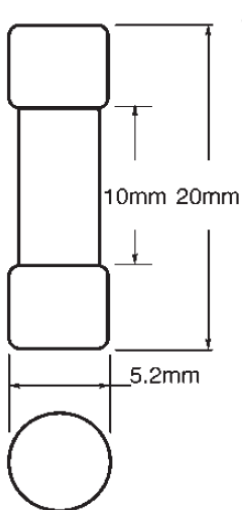
Electrical Characteristics	
1.0In	4.0In
4 hour min.	120 sec max.

Specifications

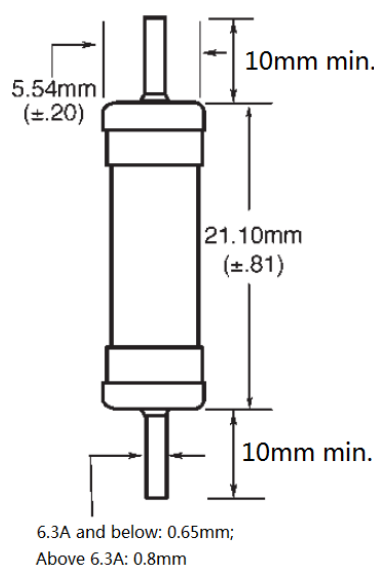
Specification			
Part No.	Rated Voltage	Rated Current	Breaking Capacity (A)
	AC/DC		AC/DC
MV530.0.25	300V	250mA	3000A
MV530.0.4		400mA	
MV530.0.5		500mA	
MV530.0.6		600mA	
MV530.10		10A	

Dimension

MV530.xxx



MV530.xxxP



300VAC/DC, 5x20mm, Fast Acting, Ceramic Tube Fuses

MV530 Series



Time Current Curve

