

10x38mm, Industrial Fuse  
A100301 Series



**Description**

- Fuse for industrial power Applications
- 10x38mm physical size
- Designed to UL248-1
- RoHS compliant

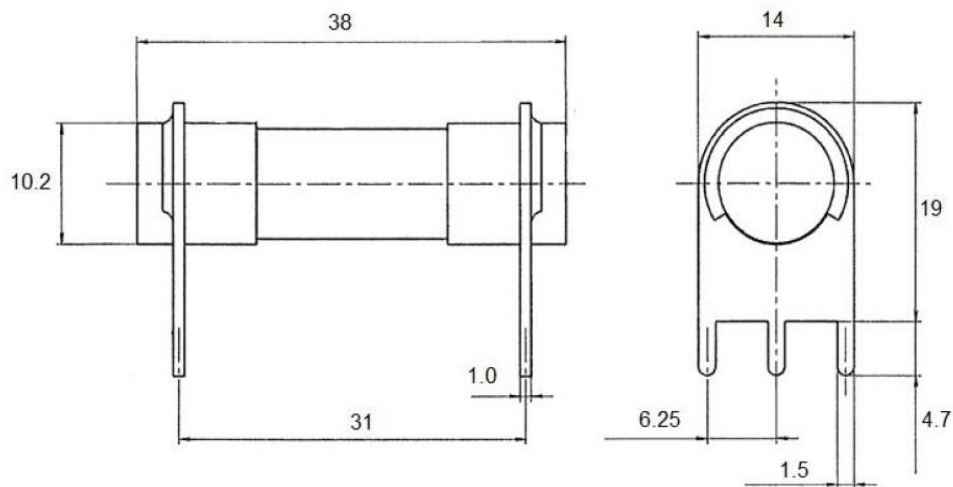
Electrical Characteristics		
Rated Current	1.0In	2.0In
31.5A – 80A	4 hour min.	120 sec max.

**Specifications**

Specification						
订购料号 Ordering P/N	Rated Current	Rated Voltage	Breaking Capacity	Typical resistance	Energy Integrals I <sup>2</sup> t (A <sup>2</sup> S)	Power Loss @ 1.0In (W)
				mOhms	Pre-Arcing	1.0In
A100301-31.5DP	31.5A	500VAC 125VDC	1500A @ 500VAC 1500A @ 125VDC	3.55	1500	5.2
A100301-32DP	32A			3.55	1500	5.2
A100301-40DP	40A			2.45	4600	5.7
A100301-50DP	50A	250VAC 125VDC	2500A @ 250VAC 1500A @ 125VDC	2.00	2600	9.0
A100301-63DP	63A			1.5	7500	9.8
A100301-80DP	80A			1.04	24000	10.4

- DC Cold Resistance are measured at <10% of rated current in ambient temperature of 25 °C
- Typical Pre-arcing I<sup>2</sup>t are measured at 10In Current

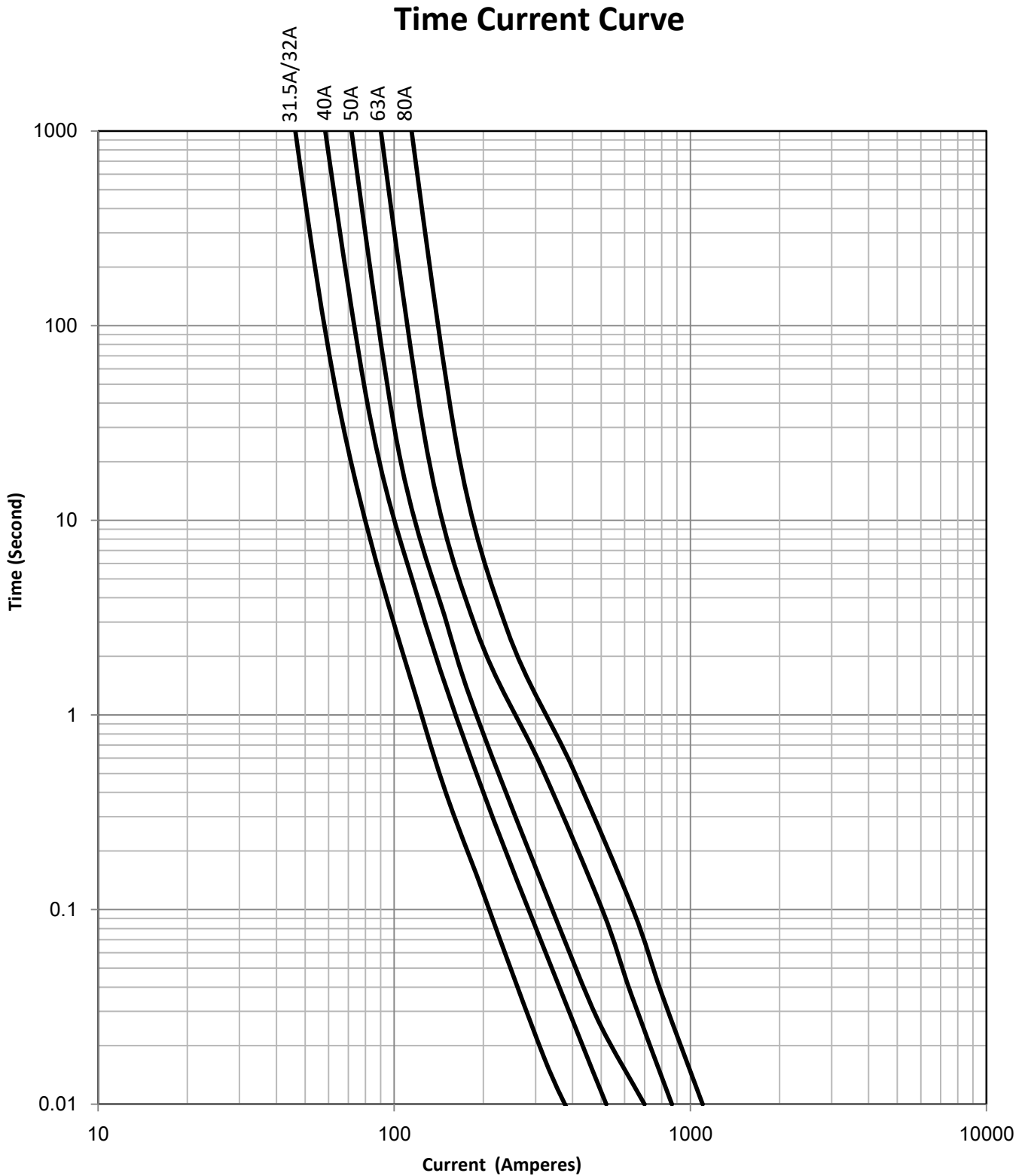
**Dimension**



10x38mm, Industrial Fuse  
A100301 Series



Time-Current Characteristics



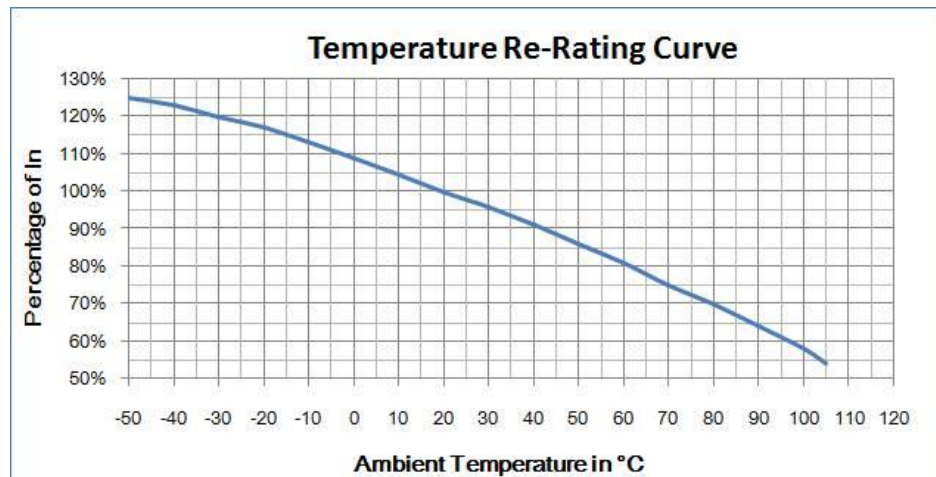
10x38mm, Industrial Fuse  
A100301 Series



**Operating Temperature:-55°C~125°C**

When choosing the fuse's specification, if the operating environmental temperature beyond the scope from 20~30°C, you should consider the environmental temperature's affection to fuses.

Please refer: Temperature-Current curve:



**Storage Conditions**

Under airtight in temperature+10°C~60°C、relative humidity  $\leq 75\%$  can store 3 years.

Without dew in temperature+10°C~60°C、relative humidity be 95% maximum value for 30days.

**Recommended Soldering Parameters**

Wave Parameters:

Solder Pot Temperature: 270°C Max

Solder Dwell Time: 10s Max

Hand-Solder Parameters:

Solder Iron Temperature: 350±5°C

Heating Time: 5 s Max