

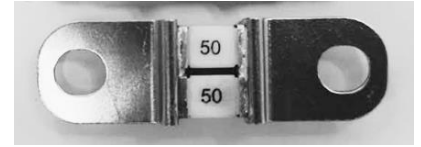
# High Current Fuse Array

## PB07HT Series



### Description

- A blot-on fuse array for high current protection
- 2 UL approved fuses in 1 array design for low power loss and high breaking capacity application



### Application

- High-Power battery systems
- E-Bike/E-Motorcycle
- Power Distribution Units(PDUs)
- Telecom Power System

### Electrical Characteristics

1.0In	3.5In
4 hours min.	10s max.

### Specifications

Part No.	Rated Voltage	Rated Current	Breaking Capacity	Typ. Cold Resistance	Typical Voltage Drop	Typical Pre-Arcing I <sup>2</sup> t
	DC	A	DC	(mΩ)	(mV)	(A <sup>2</sup> Sec) <sup>2</sup>
PB07HT-80	72V	80	3000A	0.43	78	5500
PB07HT-100		100		0.32	65	10000

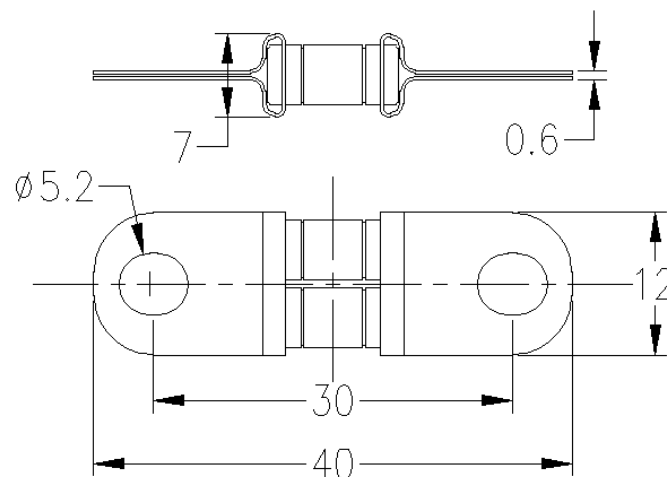
\* Typical Pre-arcing I<sup>2</sup>t are measured at 10In Current

\* For the application voltage higher than 72Vdc, please contact ASTM for further advice.

### Ordering Information

PN	Single Fuse
PB07HT-80	PB07040, 2pcs
PB07HT-100	PB07050, 2pcs

### Dimensions Unit: mm

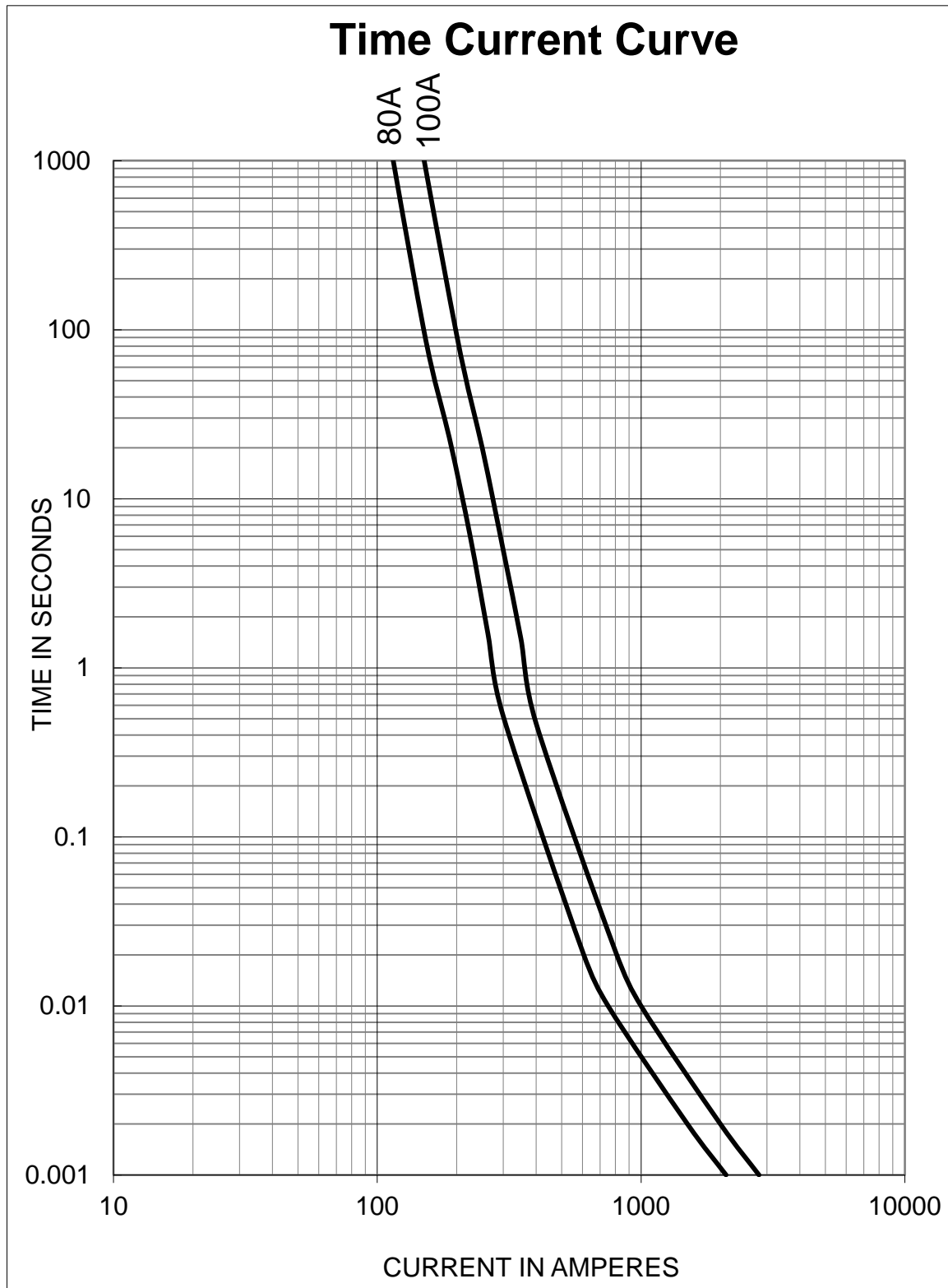


# High Current Fuse Array

## PB07HT Series



### Time Current Curve



\*\* For Short Circuit Protection only, the Min. BC is  $3.5I_n$  本产品为系统短路保护应用设计，最小保护电流为  $3.5I_n$ .

# High Current Fuse Array

## PB07HT Series



### Temperature Rerating curve

- Normal Operating Temperature:  $25^{\circ}\text{C} \pm 2^{\circ}\text{C}$
- Operating Temperature:  $-40^{\circ}\text{C}$  to  $125^{\circ}\text{C}$  with proper correction factor applied.

Chart of correction factor

