

600VAC/DC, 10x38mm
AC10100 Series

Features/Benefits

- High Voltage fuse for AC/DC application
- Standard, bolt down and PCB mount configurations available
- Excellent Reliability Performance



Applications

- Combiner boxes
- Automotive
- Inverters
- Power supplies
- Desktop meters

Electrical Characteristics		
% of Ampere Rating (A)	Operating Time (s)	
	Min	Max
100%	14400	-
135%	-	3600
200%	-	120

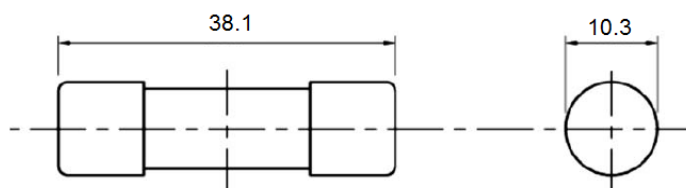
Specifications

Specification						
Part No.	Rated Voltage	Rated Current(A)	Breaking Capacity	Energy Integrals I ² t (A ² S)		Power Loss @ 1.0In (W)
				Pre-arcing	Total @ 600Vac	
AC10100.2	600Vac 600Vdc	2	50KA	0.8	3	1.1
AC10100.3		3		3.3	10	1.3
AC10100.4		4		5.5	16	1.4
AC10100.5		5		10	32	1.4
AC10100.6		6		25	80	1.8
AC10100.8		8		80	210	2.2
AC10100.10		10		32	80	2.3
AC10100.12		12		95	200	2.8
AC10100.15		15		270	550	3
AC10100.20		20		720	1500	3.6
AC10100.25		25		1010	2100	4.1
AC10100.30		30		1200	2450	5.7

Note: Typical pre-arcing I²t measured at 10In.

Dimension (Unit: mm)

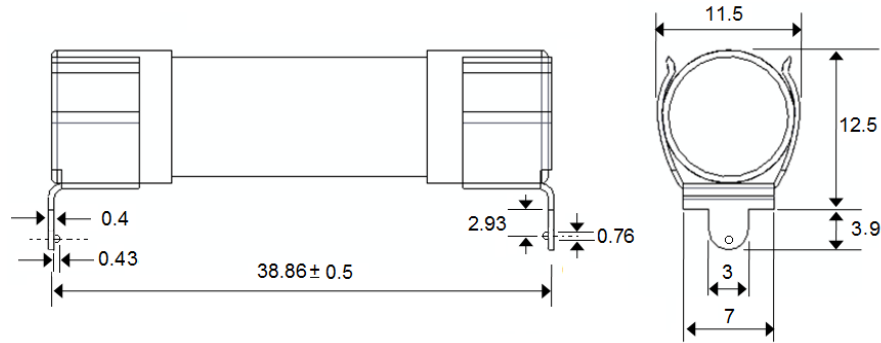
Standard cylindrical, ordering code – AC10100.XX



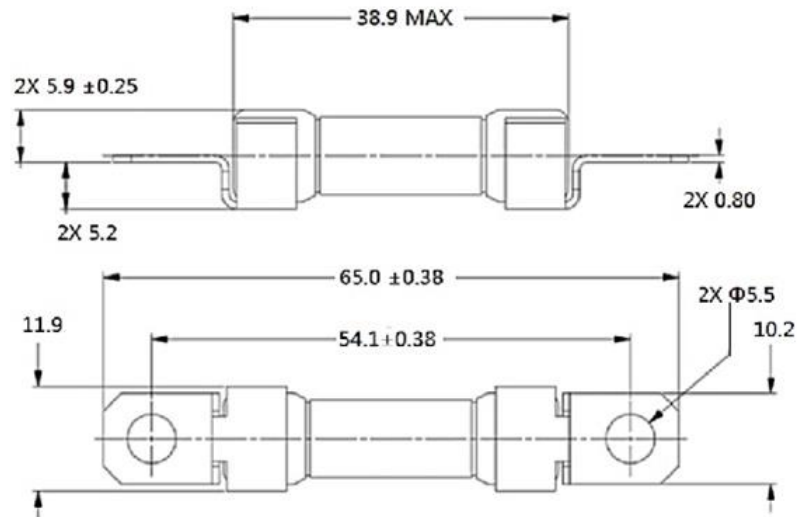
Fuse Clip for PCB mounting P/N:	AC-10P
Material:	Phosphor Bronzes
Surface plating:	Bright Tin
Thickness:	0.80mm

600VAC/DC, 10x38mm
AC10100 Series

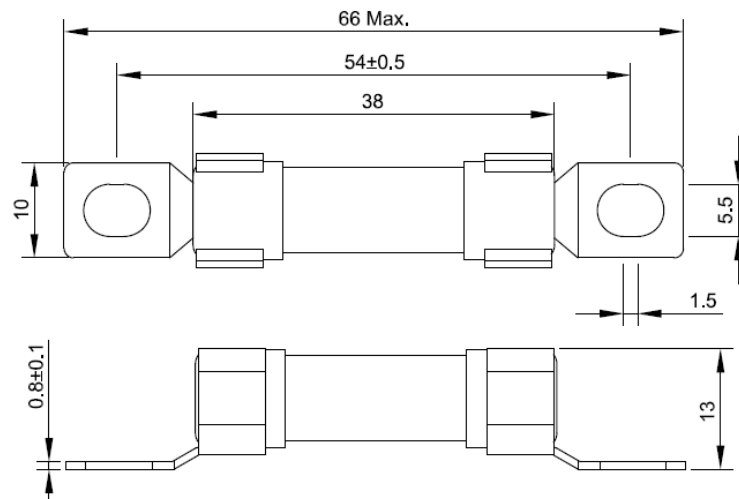
With PCB wave-soldering terminals, ordering code –AC10100.xxTH



With bolt-in terminals, AP type, ordering code –AC10100.xxAP



With bolt-in terminals, BP type, ordering code –AC10100.xxBP



600VAC/DC, 10x38mm
AC10100 Series

Carton Quantity

10pcs in 1 carton (cylindrical type)

Time-Current Characteristics

