

400V/500Vdc, 5x20mm, Fast Acting, Ceramic Tube Fuses

HV530 Series

Description

- Fast Acting, high breaking capacity
- 5x20mm physical size
- Ceramic tube, Silver plated cap construction
- Designed to UL248-1
- Lead Free and Halogen free material



Electrical Characteristics			
Rated Current	1.0In	2.0In	4.0In
200mA – 600mA	4 hour min.	—	120 sec max.
1A – 20A	4 hour min.	120 sec max.	—

Specifications

Part No.	Rated Voltage		Rated Current	Breaking Capacity (A)		Typical Cold. Resistance (mOhms)	Typical Voltage Drop (mV)	Typical Pre-Arcing I ² t (A ² Sec)
	DC			400V	500V			
	400V	500V		2000	300A			
HV530.0.2	400V	500V	200mA	2000	300A	1750	333	0.032
HV530.0.4			400mA			663	278	0.172
HV530.0.5			500mA			382	190	0.287
HV530.0.6			600mA			360	234	0.396
HV530.1			1A			230	280	0.28
HV530.1.6			1.6A			148	310	2.56
HV530.2			2A			100	248	1.68
HV530.2.5			2.5A			90	360	1.48
HV530.3.15			3.15A			49	215	4.91
HV530.4			4A			38	220	8
HV530.5			5A			29	200	16
HV530.6			6A			24	150	30
HV530.6.3			6.3A			19	162	48
HV530.8			8A			14	149	64
HV530.10			10A			12	166	90
HV530.12			12A			9.5	160	130
HV530.15	—	—	15A	—	—	7.3	165	225
HV530.20						20A	5	150

* DC Cold Resistance are measured at <10% of rated current in ambient temperature of 25°C

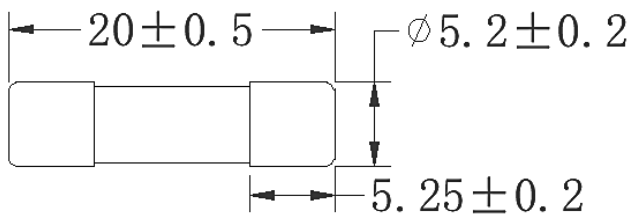
* Typical Pre-arcing I²t are measured at 10In Current

400V/500Vdc, 5x20mm, Fast Acting, Ceramic Tube Fuses

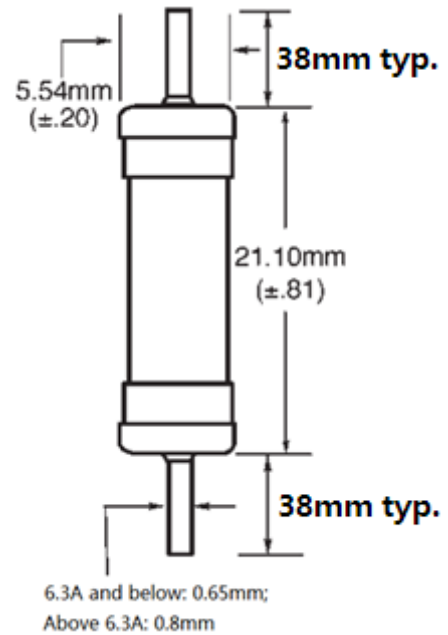
HV530 Series

Dimension

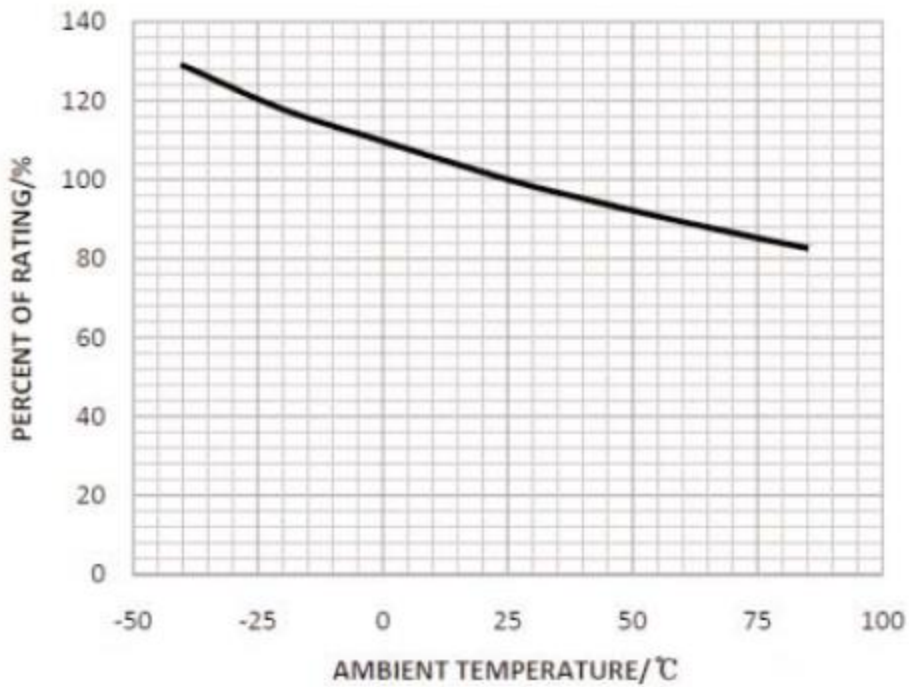
HV530.xxx



HV530.xxxP



Temperature Derating Curve



400V/500Vdc,5x20mm, Fast Acting, Ceramic Tube Fuses

HV530 Series

Package

Cylindrical: 500 pcs in one bag.



Leaded: 50pcs per bag, 4 bags/200pcs per box, 4 kpcs per carton.



400V/500Vdc, 5x20mm, Fast Acting, Ceramic Tube Fuses

HV530 Series

Time-Current Characteristics

